



*Doing Our Best to Provide You the Best*

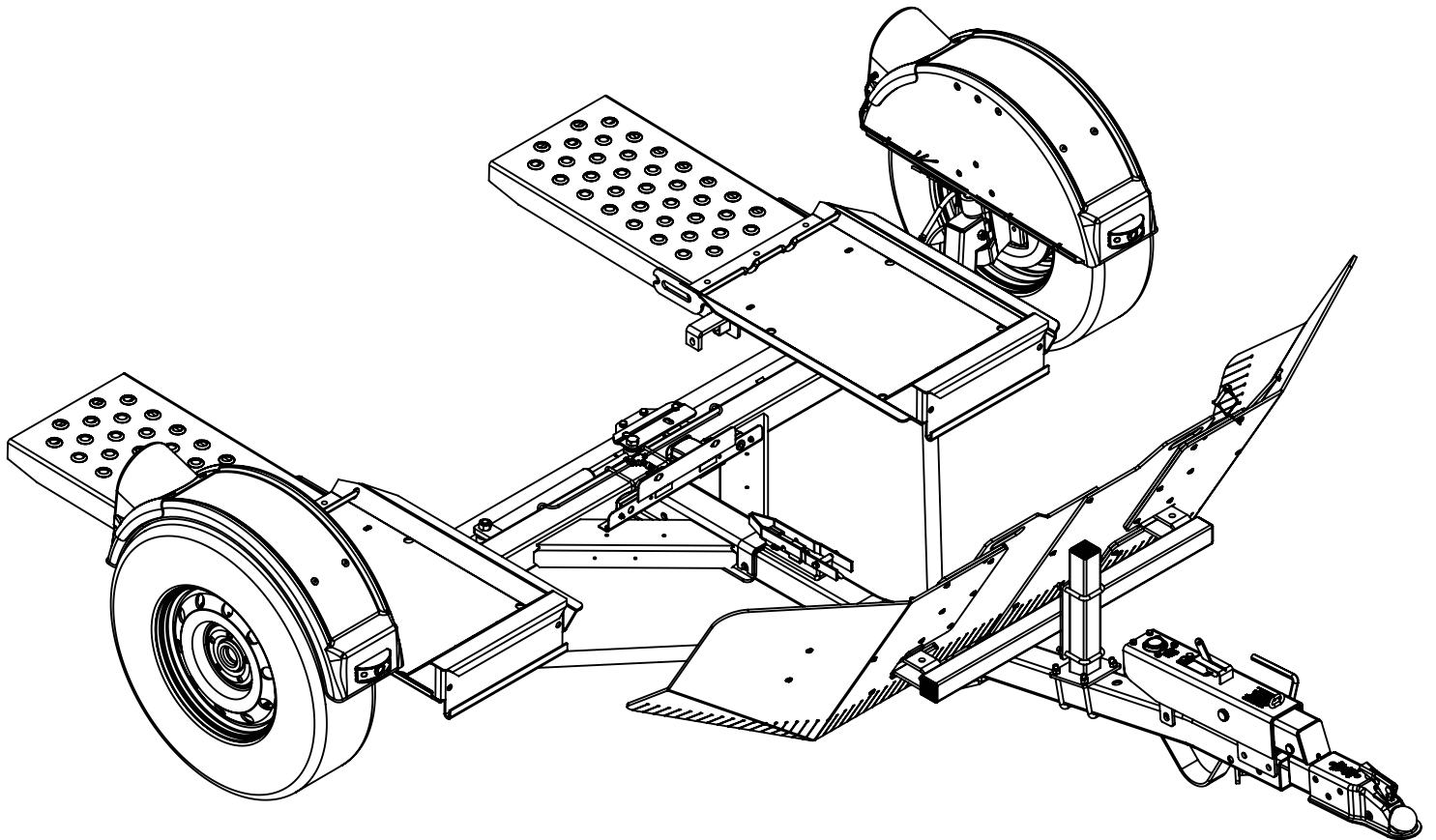
RD20015, Rev 3  
03/20

---

## **SENTRY DEFLECTOR**

### **Tow Dolly Mounted**

---

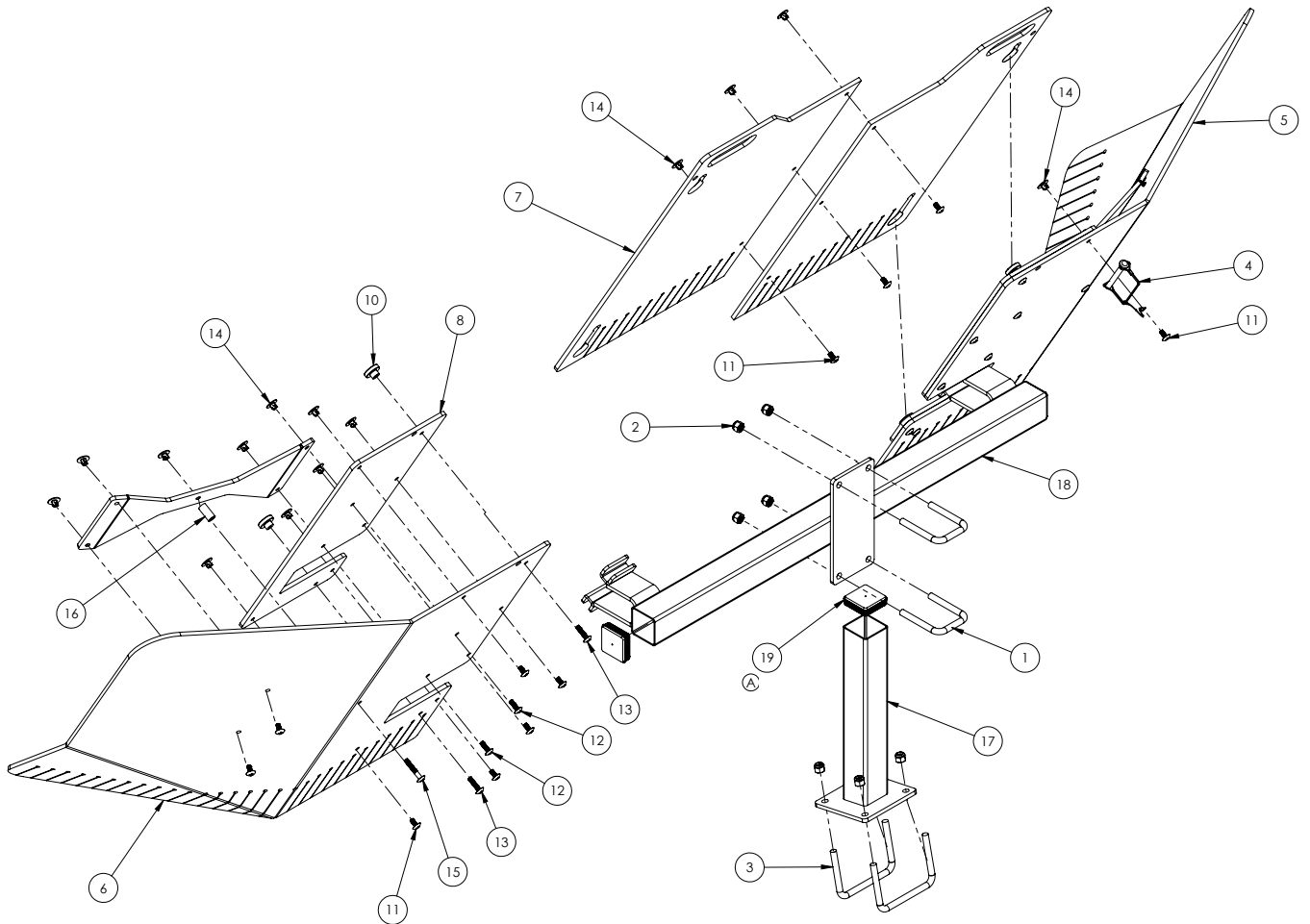


**OPERATOR MANUAL**

# Introduction

## WARRANTY POLICY, OPERATOR MANUALS & REGISTRATION

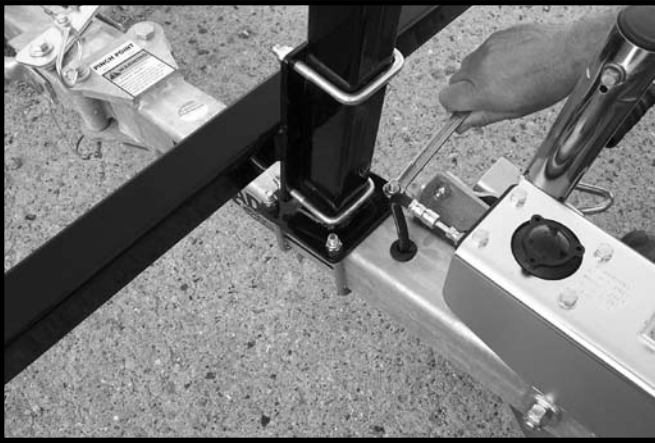
Go online to [www.demco-products.com](http://www.demco-products.com) to review Demco warranty policies, operator manuals and register your Demco product.



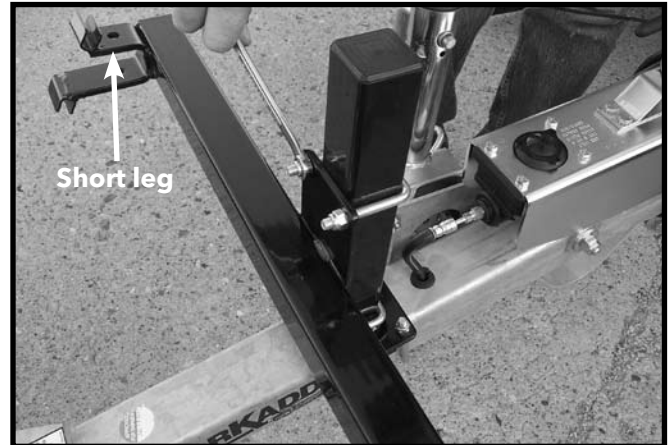
### SENTRY DEFLECTOR (5950) PARTS LIST

ITEM	PART #	DESCRIPTION	QTY
1	<b>02128</b>	U-BOLT, SQ, .375NC X 2.063 X 3.00	2
2	<b>02592</b>	NUT, .375NC NYLON LOCK	8
3	<b>04494</b>	U-BOLT, SQ, .375 X 3.00 X 4.00	2
4	<b>05337</b>	SAFETY LOCK PIN ASSEMBLY	1
5	<b>10131</b>	ROCK GUARD, LEFT	1
6	<b>10132</b>	ROCK GUARD, RIGHT	1
7	<b>10133</b>	DEFLECTOR CENTER SECTION	2
8	<b>10134</b>	DEFLECTOR MOUNTING PLATE	2
9	<b>10135</b>	DEFLECTOR BRACE/HANDLE	2
10	<b>10136</b>	RETAINER BUTTON	4
11	<b>10183</b>	SCREW, .25 NC X .50 PHILLIPS HEAD	17
12	<b>10184</b>	SCREW, .25 NC X .75 PHILLIPS HEAD	4
13	<b>10185</b>	SCREW, .25 NC X 1.00 PHILLIPS HEAD	4
14	<b>10186</b>	T-NUT, .25 NC X .41 BARREL	23
15	<b>11264</b>	SCREW, .25 NC X 1.50 PHILLIPS HEAD	2
16	<b>11265</b>	SPACER BUSHING	2
17	<b>13731-81</b>	UPRIGHT POST MOUNT	1
18	<b>13732-81</b>	SENTRY CROSSMEMBER TD MNT	1
19	<b>17044</b>	CAP PLUG 2" SQ X 10-14 GA	3
-	<b>12329</b>	THREAD LOCK (NOT SHOWN)	1

Please order replacement parts by **PART NO.** and **DESCRIPTION**



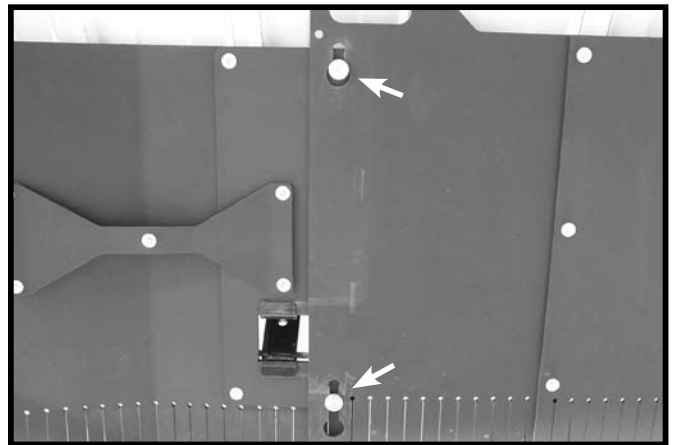
1. Attach upright post to tow dolly tongue, approximately 40" from tongue channel on tow dolly's main frame. Attach using two 3/8" x 3" x 4" u-bolts and four 3/8" nylon lock nuts.



2. Install crossmember to upright post, making sure the short leg of the mounting channel on tube ends, is on top



3. Slide the left & right rock guard onto the mounting slide channels. Note: If the center section is not bolted together, use three T-nuts and .25 x .50 phillips head screws to fasten center section together. (See parts breakdown) (Apply thread lock to threads)



4. Install center section's lower key holes over the bottom clamps of wings first, both the same time. Slowly push down until top key slots start to line up. Assist line up by moving each wing up or down. When all clamps are through key holes. Push down on center section until it snaps into place. Insert pin through hole provided and snap wire over pin to secure Sentry together as a unit. Hole on other side maybe used for a paddle lock for antitheft, if necessary.



5. Adjust the mounting brackets on the tongue so the Sentry deflector is about 6" from the vehicle and the bottom of Sentry is about 1/4"-1/2" from the tongue of tow dolly.

6. Once adjusted, the Sentry brackets can stay on tow dolly and the Sentry can be removed and placed in it's bag when not in use.

# **DEMCO**

4010 320th St., Boyden, IA. 51234

Phone: (712) 725-2311

Fax: (712) 725-2380

Toll Free: 1-800-54DEMCO (1-800-543-3626)

**Demco warranty policies, operator manuals, and product registration  
can be found online:**

**[www.demco-products.com](http://www.demco-products.com)**

